




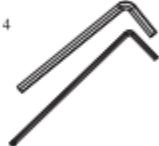


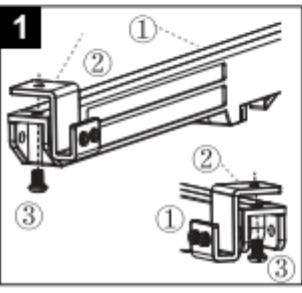


Ferrure porte grange Square :

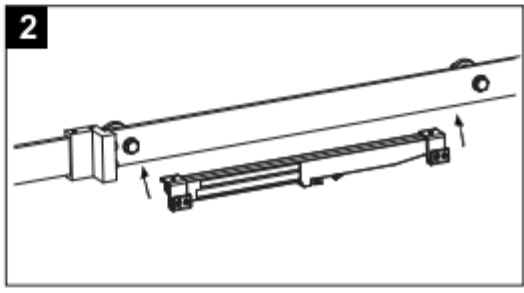
Installation Manual

<p>① 2x</p> 	<p>② 4x</p> 	<p>③ M4 x 6 4x</p> 
<p>④ 2x</p> 	<p>⑤ M4 x 25 6x</p> 	<p>⑥ 2,5 x 54 ⑦ 2 x 83</p> 

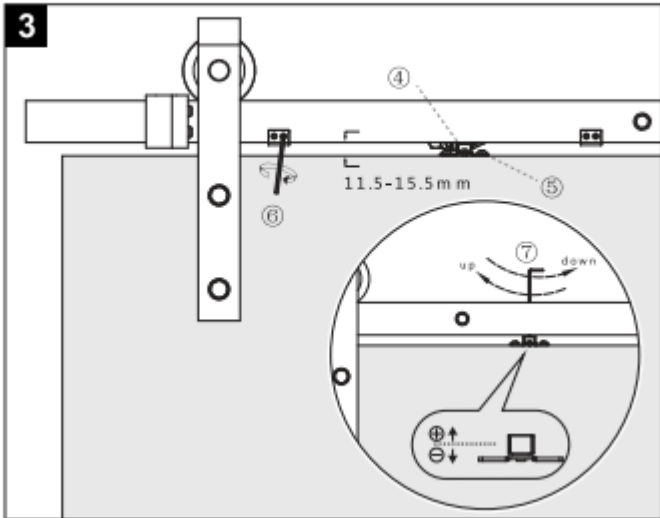
1



2



3



11.5-15.5 mm

up down

ver. 2019-12-16