

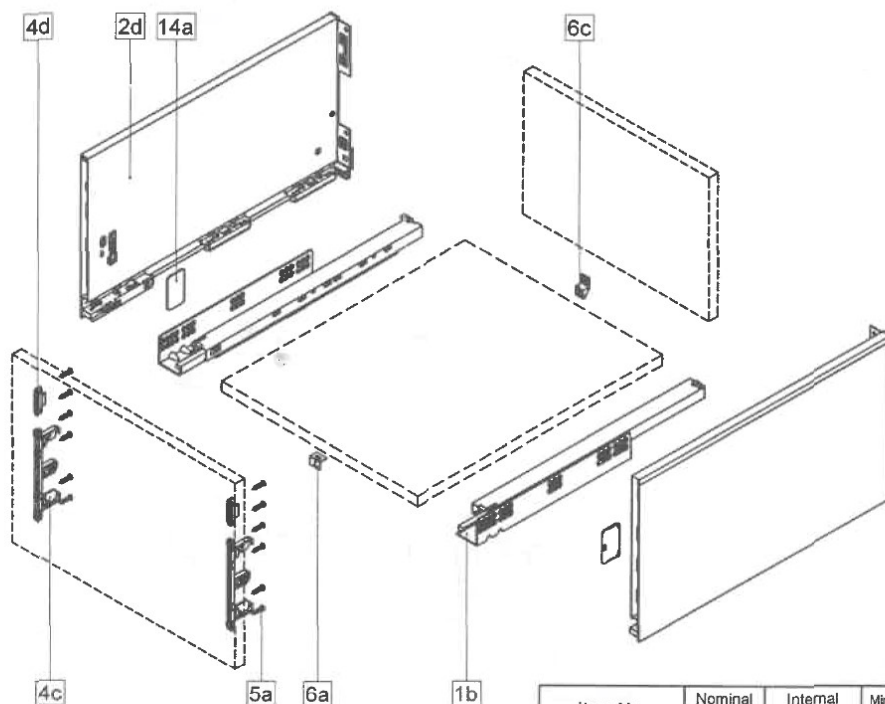
Référence Produit

## H89/121 /185 NL 270-650

Tiroir 19 mm

ABAKOU

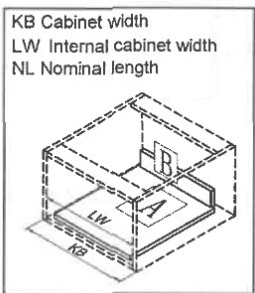
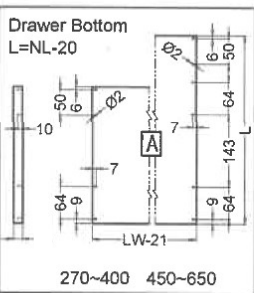
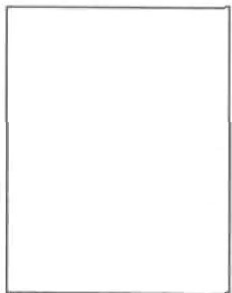
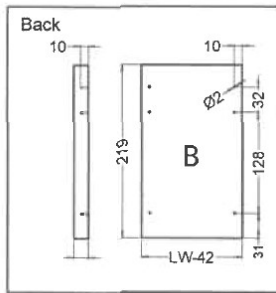
### Components



1b. Cabinet profiles L/R	5a. Front fixing-brackets screw (Ø4x17)
2d. 249 Drawer Sides L/R	6a. Front fixing (for wide drawer)
4c. 185 Front fixing-brackets	6c. Back fixing (for wide drawer)
4d. 249 Front fixing-brackets	14a. Side cover plate

Item No.	Nominal length	Internal drawer length	Min. installation length of drawer
808BR24927018	270mm	244mm	275mm
808BR24930018	300mm	274mm	305mm
808BR24935018	350mm	324mm	355mm
808BR24940018	400mm	374mm	405mm
808BR24945018	450mm	424mm	455mm
808BR24950018	500mm	474mm	505mm
808BR24955018	550mm	524mm	555mm
808BR24960018	600mm	574mm	605mm
808BR24965018	650mm	624mm	655mm

### Drawer Back and Bottom Dimensions (mm)

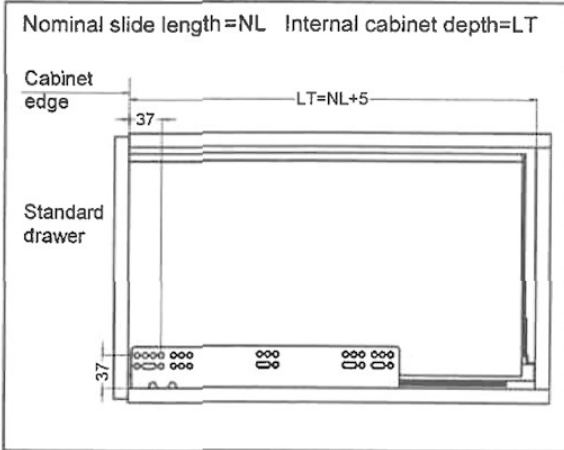


# H89/121 /185 NL 270-650

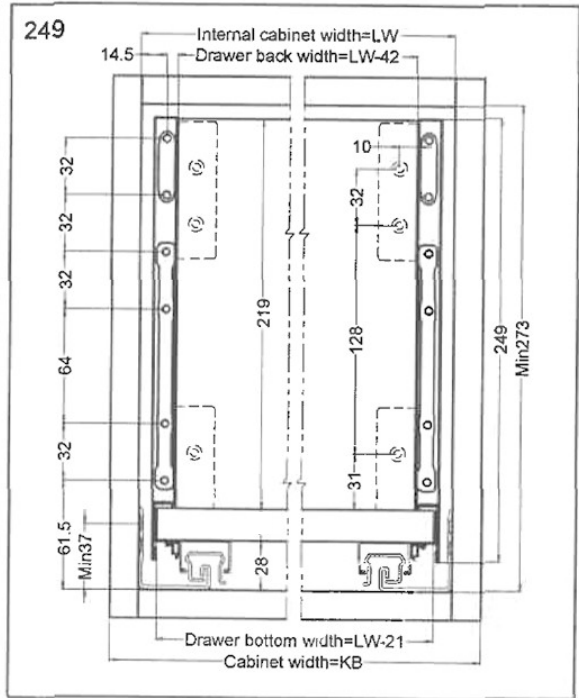
Tiroir 19 mm

ABAKOU

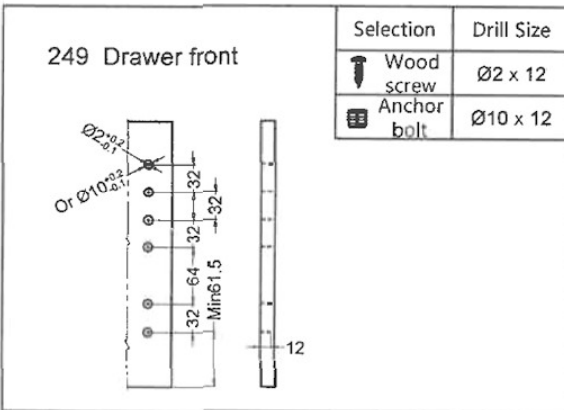
## Installation dimensions (mm)



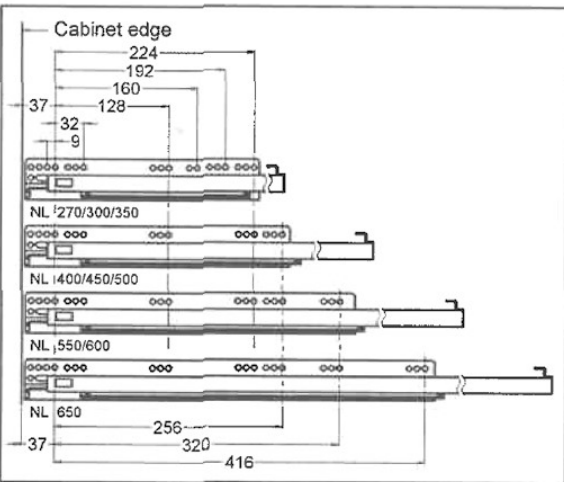
## Drawer installation dimensions (mm)



## Drawer installation dimensions (mm)



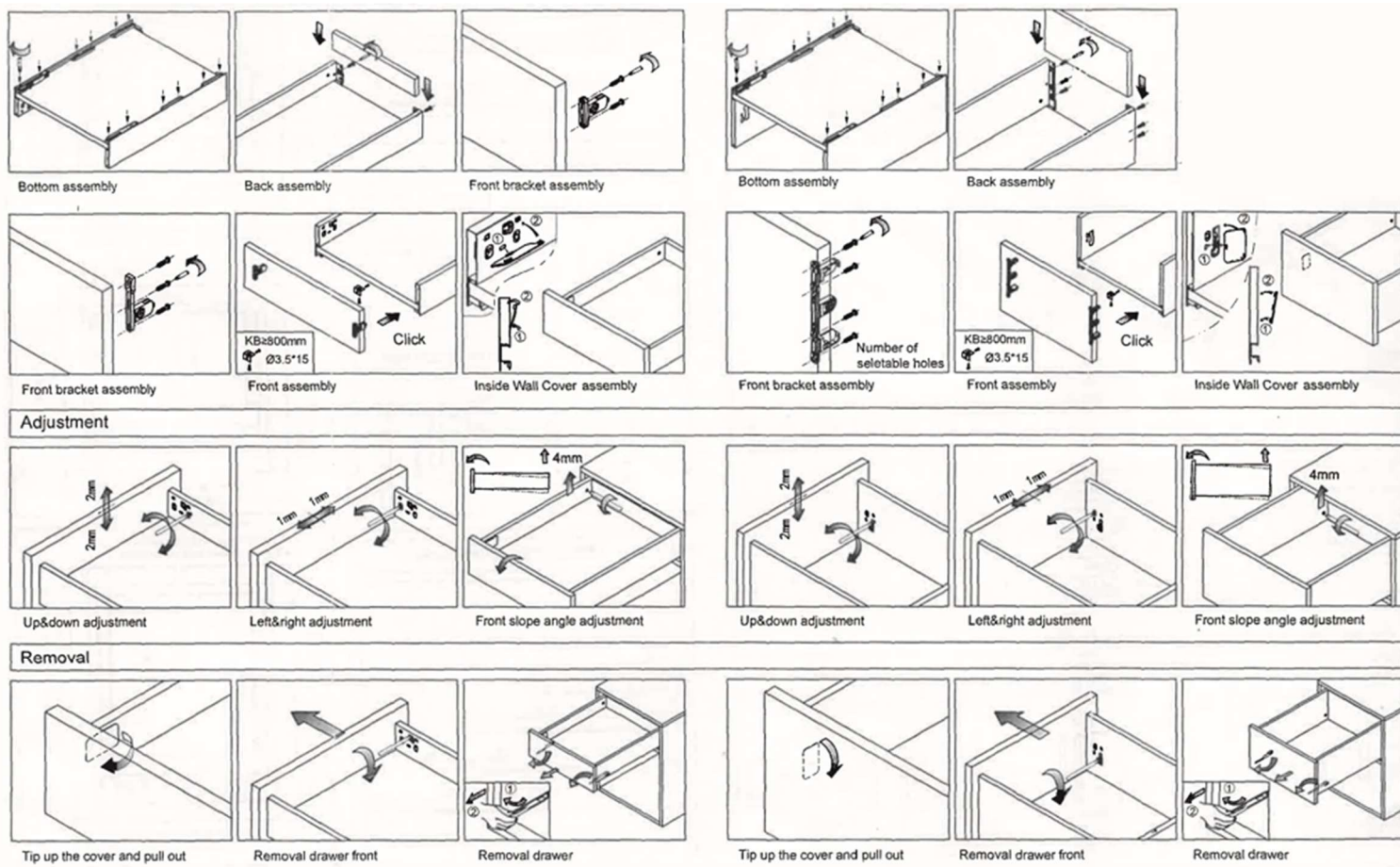
## Screw positions of the sides (mm)



# H89/121 /185 NL 270-650

Tiroir 19 mm

ABAKOU

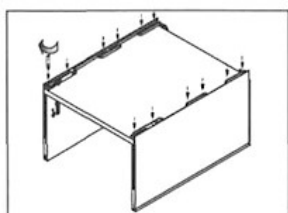


# H89/121 /185 NL 270-650

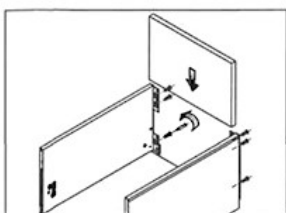
## Tiroir 19 mm

ABAKOU

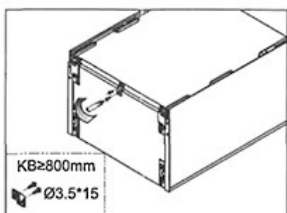
Assembly-



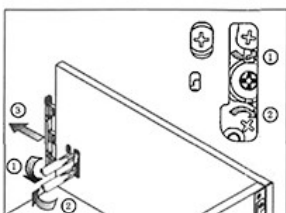
Bottom assembly



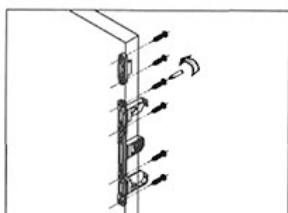
Back assembly



Back fixing assembly

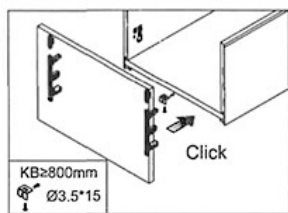


Front bracket release

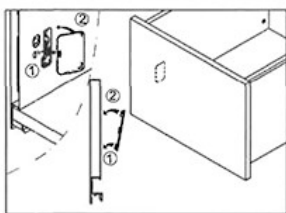


Front bracket assembly

Assembly

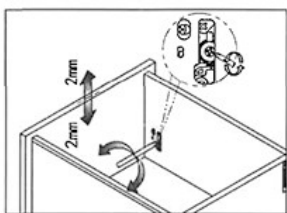


Front assembly

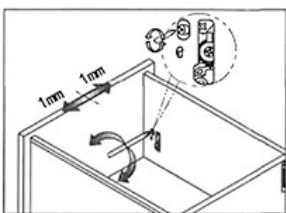


Inside Wall Cover assembly

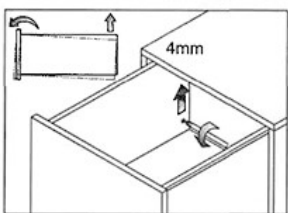
Adjustment



Up & down adjustment

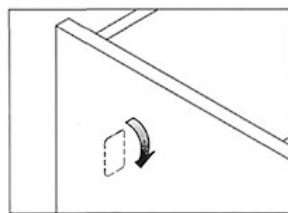


Left & right adjustment

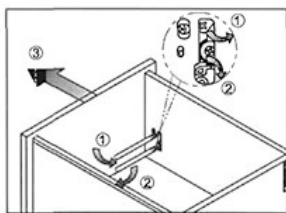


Front slope angle adjustment

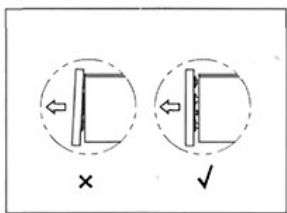
Removal



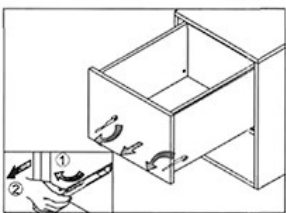
Tip up the cover and pull out



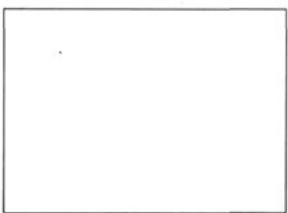
Removal drawer front



Move the drawer front out horizontally



Removal drawer

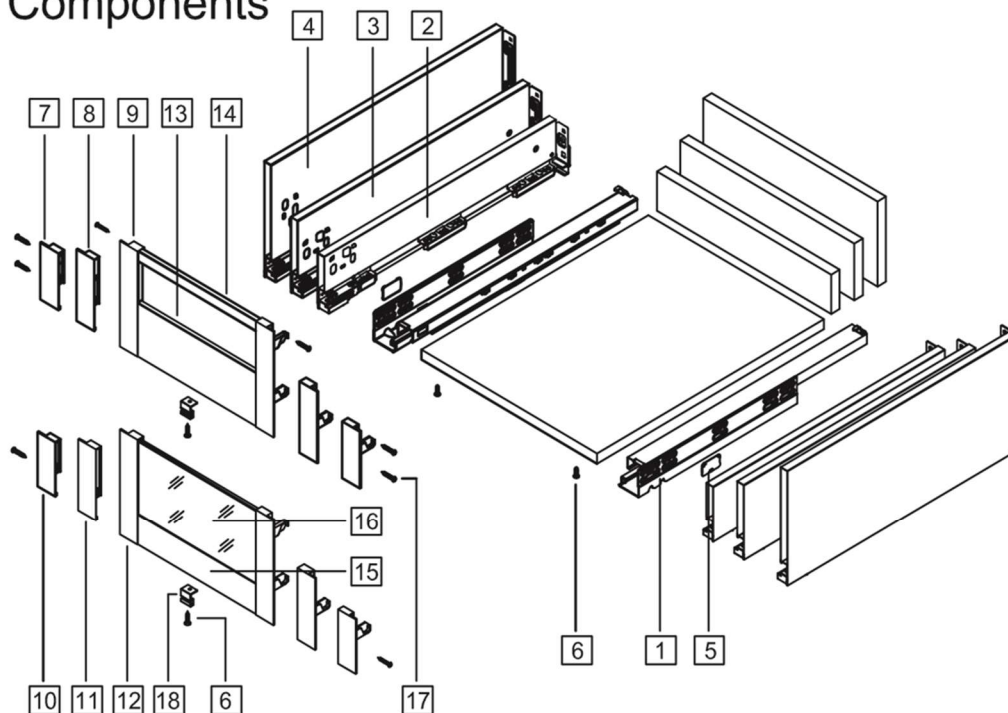


## H89/121 /185 NL 270-650

Tiroir 19 mm

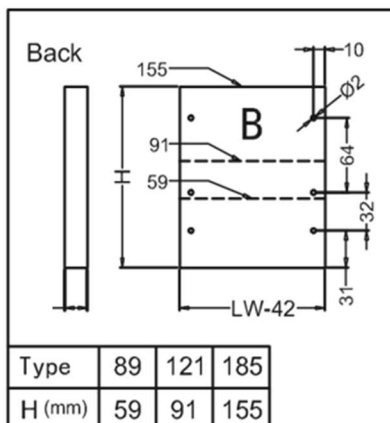
ABAKOU

### Components

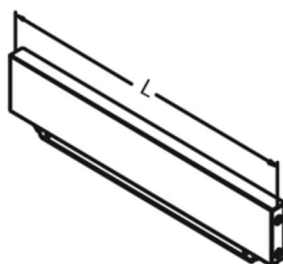


1. Cabinet profiles: L/R	10. 89-2 Front Fixing brackets L/R	Nominal length	Internal drawer length	Min. installation length of drawer			
2. 89 Drawer profiles: L/R	11. 121-2 Front Fixing brackets L/R				270mm	234mm	275mm
3. 121 Drawer profiles: L/R	12. 185-2 Front Fixing brackets L/R				300mm	264mm	305mm
4. 185 Drawer profiles: L/R	13. 1 Front section				350mm	314mm	355mm
5. Side cover plate	14. Cross square rail				400mm	364mm	405mm
6. Bottom & Back screw (Ø3.5x15)	15. 2 Front section				450mm	414mm	455mm
7. 89-1 Front Fixing brackets L/R	16. Glass Front (89/121/185)				500mm	464mm	505mm
8. 121-1 Front Fixing brackets L/R	17. Front section Screw (Ø4x30/Ø4x17)	550mm	514mm	555mm			
9. 185-1 Front Fixing brackets L/R	18. Bottom fixed						

### Drawer Back and Bottom Dimensions



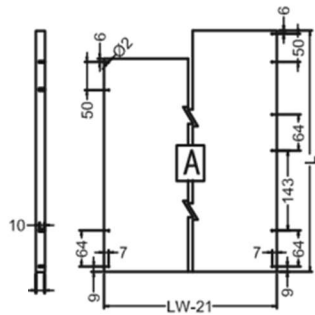
Metal Back L=LW-42



KB ≥ 800mm  
Metal back fixed

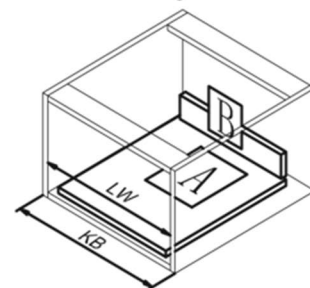


Drawer Bottom L=NL-20



270~400 450~550

KB Cabinet width  
LW Internal cabinet width  
NL Nominal length



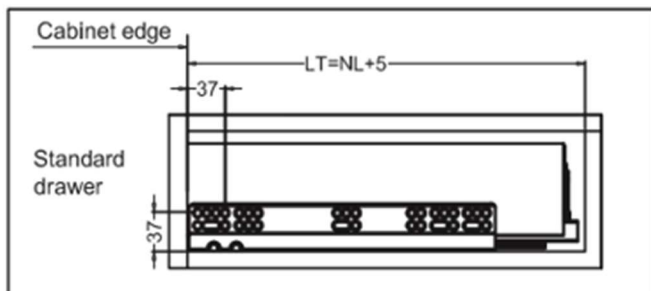
# H89/121 /185 NL 270-650

Tiroir 19 mm

ABAKOU

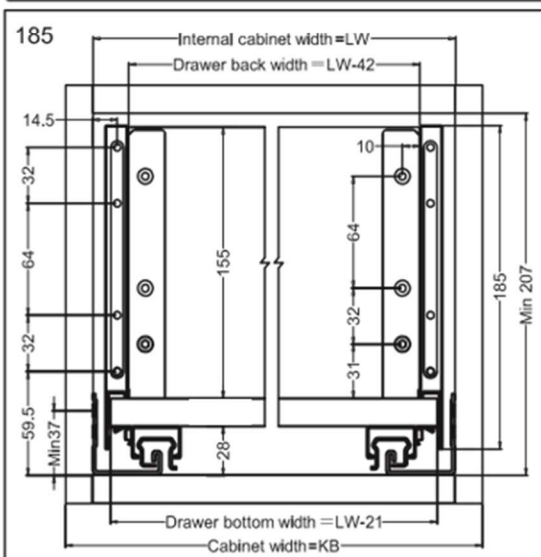
## Installation dimensions (mm)

Nominal slide length=NL Internal cabinet depth=LT



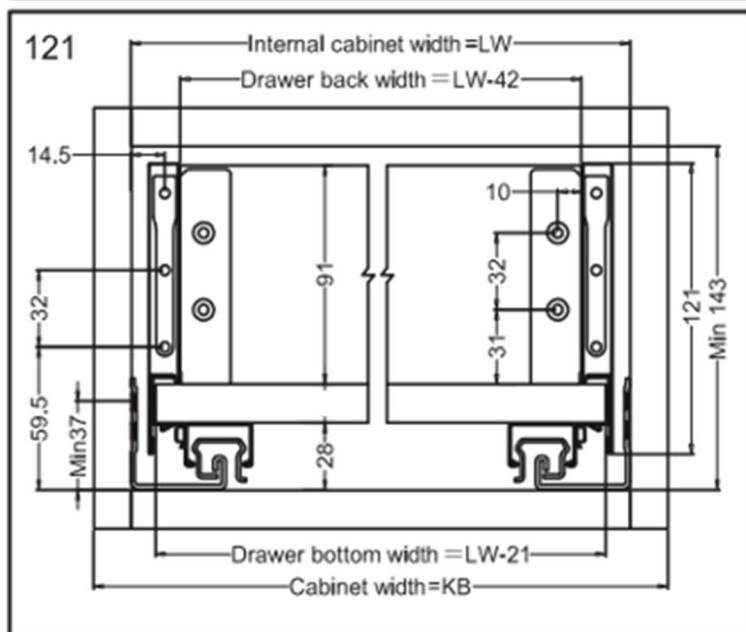
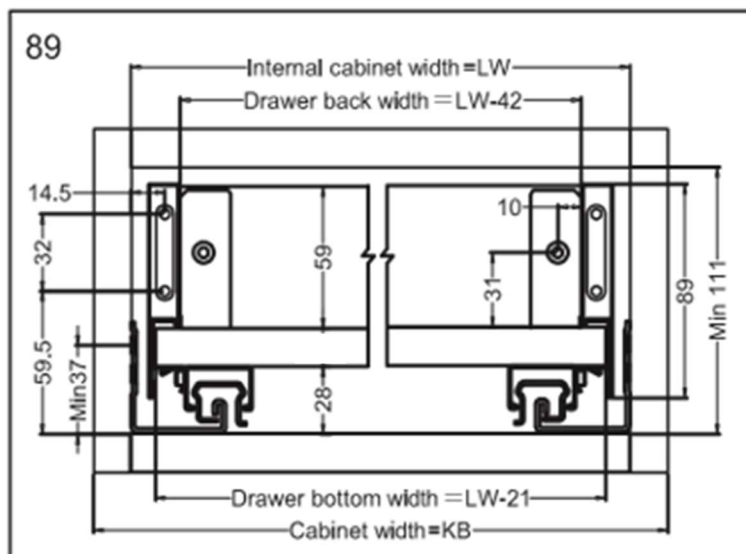
## Accessories cutting (mm)

14.808-1 Front section L=LW-87		KB ≥ 800mm
16.808-2 Front section L=LW-87		KB ≥ 800mm
17.808 Glass Front (89/121/185) L=LW-55		
15. Cross square rail L=LW-55		



## Drawer installation dimensions (mm)

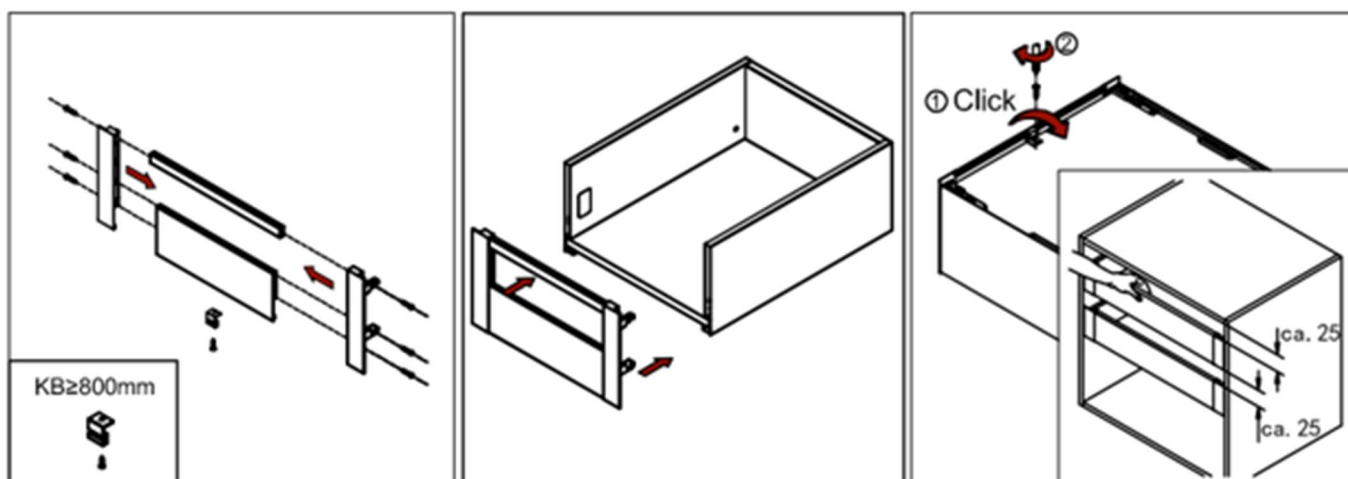
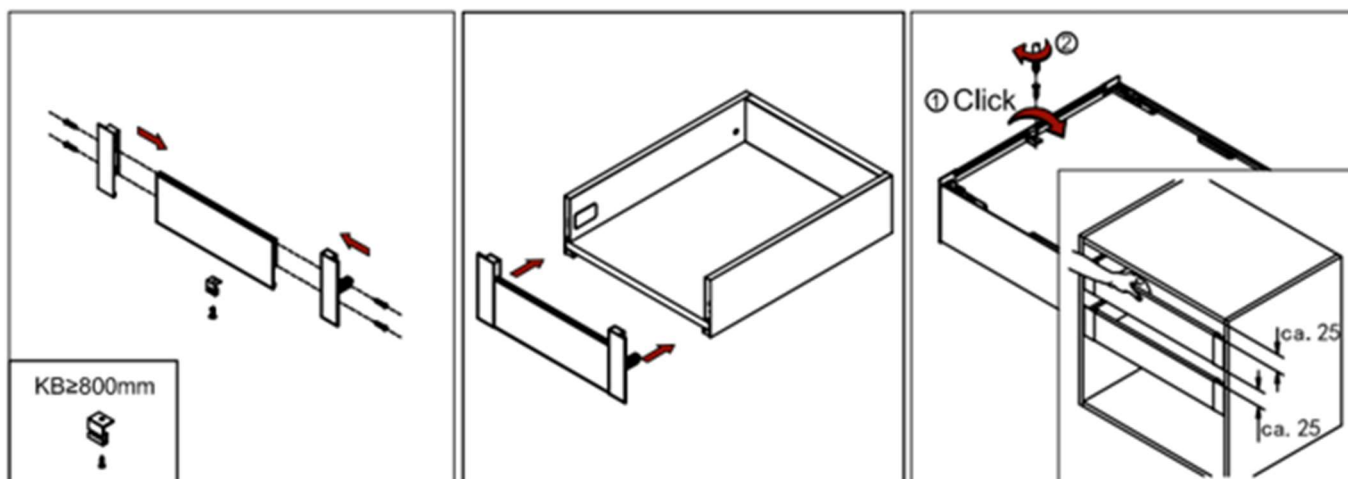
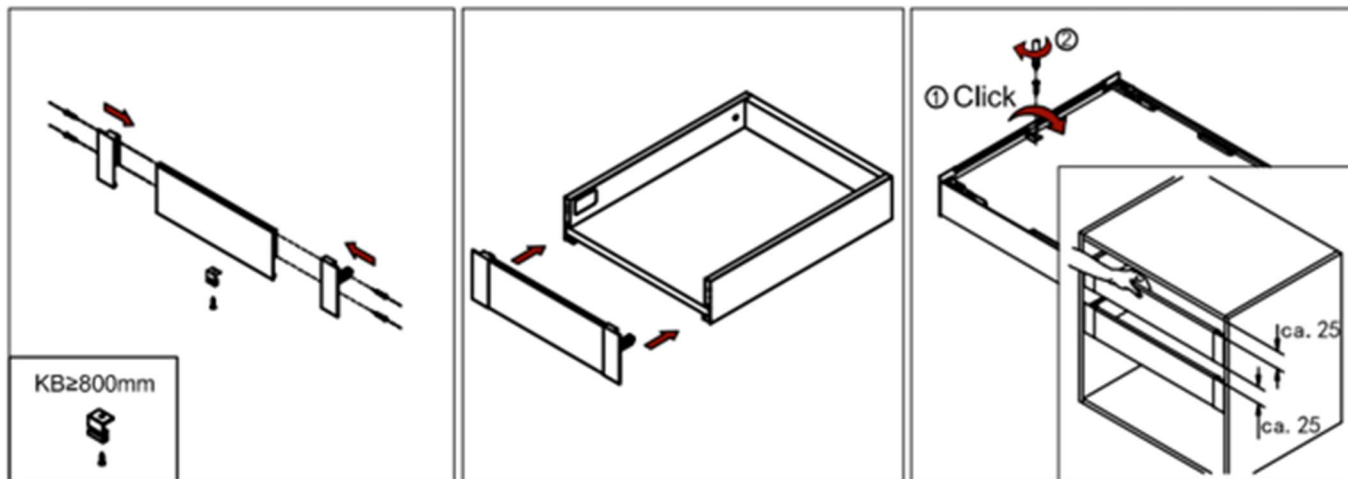
LW=Internal cabinet width



**H89/121 /185 NL 270-650**

Tiroir 19 mm

ABAKOU



**H89/121 /185 NL 270-650**

Tiroir 19 mm  
 ABAKOU

